

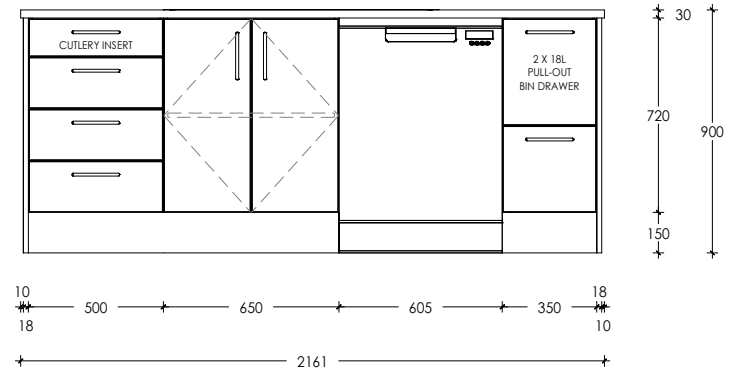
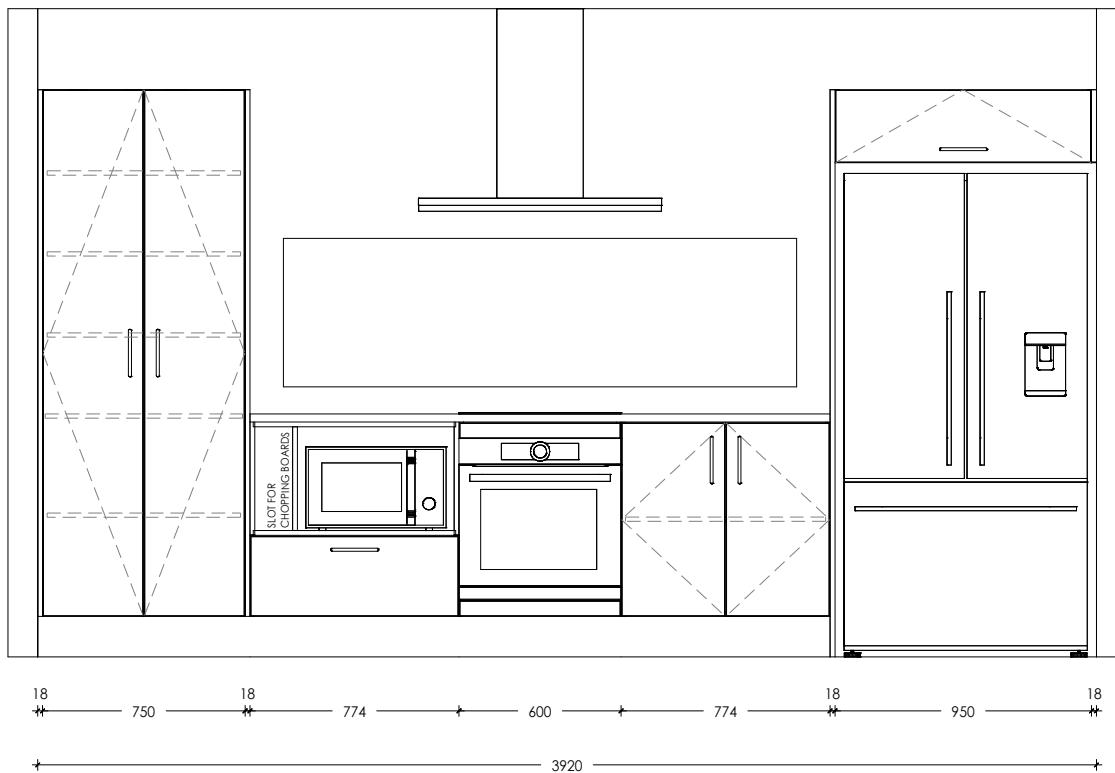
# Kitchen



**Client:** Russell Lilley Construction  
**Project Name:** George Street Unit 5  
**Site Address:** 30 George Street, Rolleston

**Designer:** Beck  
**Date:** 23 May 23  
**Page:** 1 of 4

Please note that all dimensions provided are subject to verification on job site and adjustment to fit job conditions. 3D renders are an artistic interpretation of the general appearance of the design, they are not an exact rendition therefore colours etc may vary. This design must not be released or copied until after job order has been placed



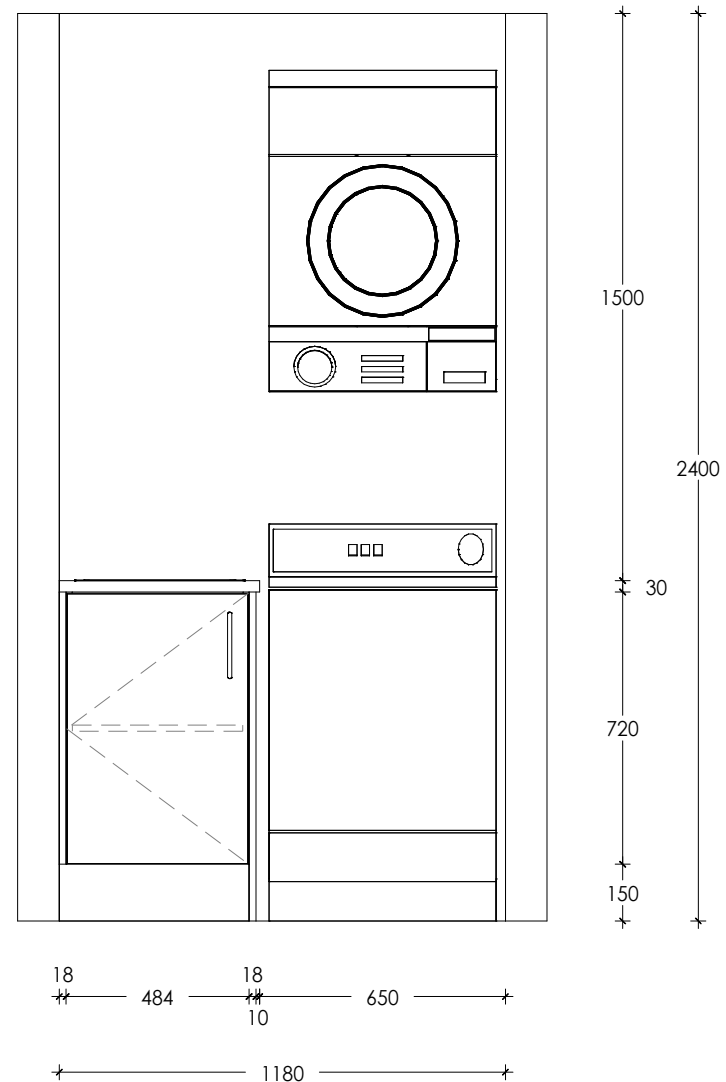
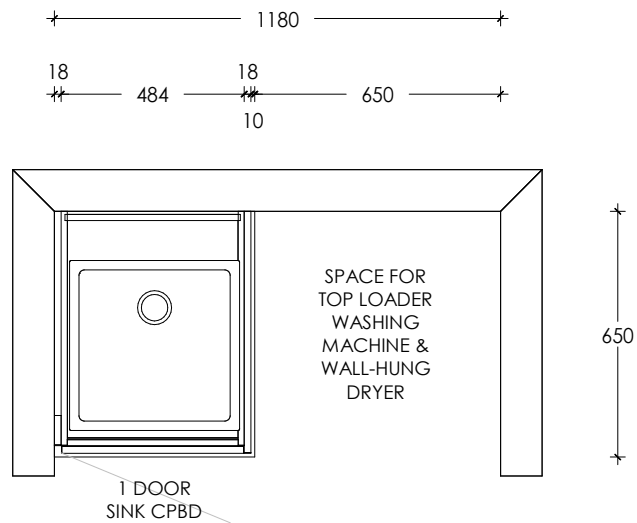
# Kitchen



**Client:** Russell Lilley Construction  
**Project Name:** George Street Unit 5  
**Site Address:** 30 George Street, Rolleston

**Designer:** Beck  
**Date:** 23 May 23  
**Page:** 2 of 4

Please note that all dimensions provided are subject to verification on job site and adjustment to fit job conditions. 3D renders are an artistic interpretation of the general appearance of the design, they are not an exact rendition therefore colours etc may vary. This design must not be released or copied until after job order has been placed



## Laundry



**Client:** Russell Lilley Construction

**Project Name:** George Street Unit 5

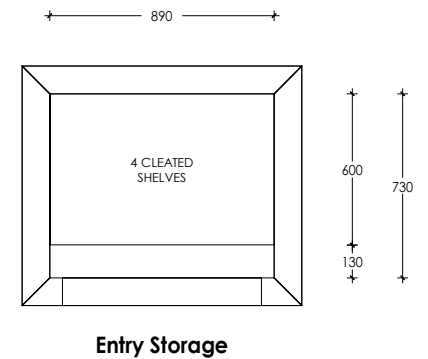
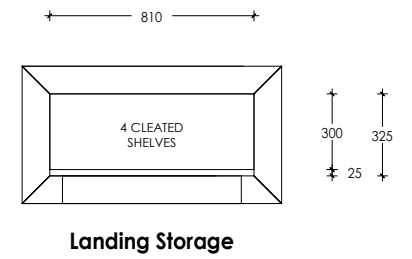
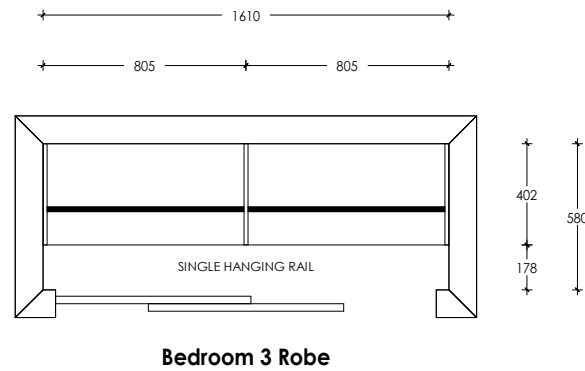
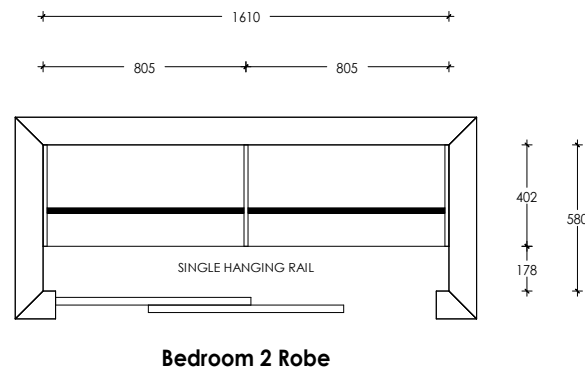
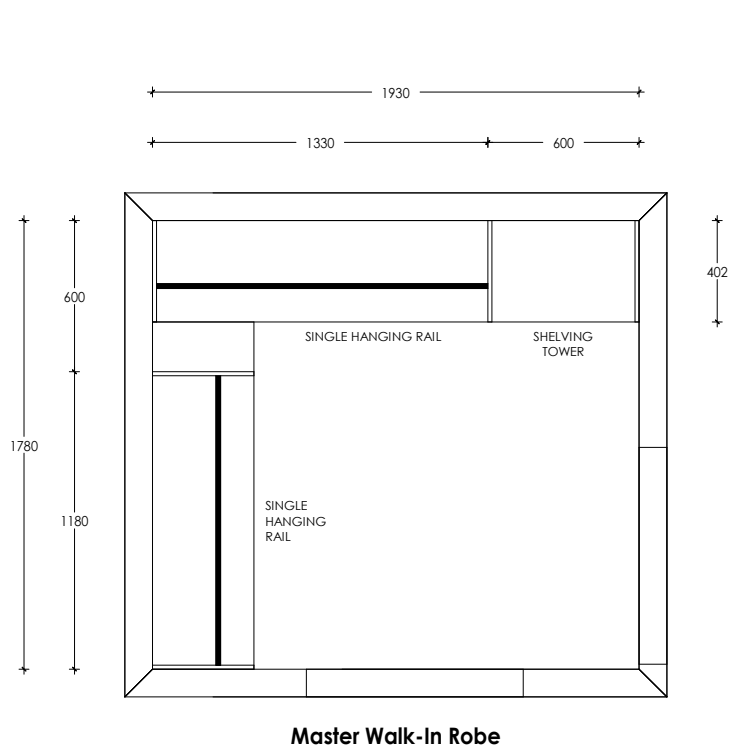
**Site Address:** 30 George Street, Rolleston

**Designer:** Beck

**Date:** 23 May 23

**Page:** 3 of 4

Please note that all dimensions provided are subject to verification on job site and adjustment to fit job conditions. 3D renders are an artistic interpretation of the general appearance of the design, they are not an exact rendition therefore colours etc may vary. This design must not be released or copied until after job order has been placed



## Robes / Storage



**Client:** Russell Lilley Construction  
**Project Name:** George Street Unit 5  
**Site Address:** 30 George Street, Rolleston

**Designer:** Beck  
**Date:** 23 May 23  
**Page:** 4 of 4

Please note that all dimensions provided are subject to verification on job site and adjustment to fit job conditions. 3D renders are an artistic interpretation of the general appearance of the design, they are not an exact rendition therefore colours etc may vary. This design must not be released or copied until after job order has been placed